

Silicon NPN Epitaxial Planar Transistor (Complement to type 2SA1215)

Application : Audio and General Purpose

Absolute maximum ratings (Ta=25°C)

Symbol	2SC2921	Unit
V _{CEO}	160	V
V _{CE0}	160	V
V _{EB0}	5	V
I _c	15	A
I _B	4	A
P _C	150(Tc=25°C)	W
T _J	150	°C
T _{stg}	-55 to +150	°C

Electrical Characteristics (Ta=25°C)

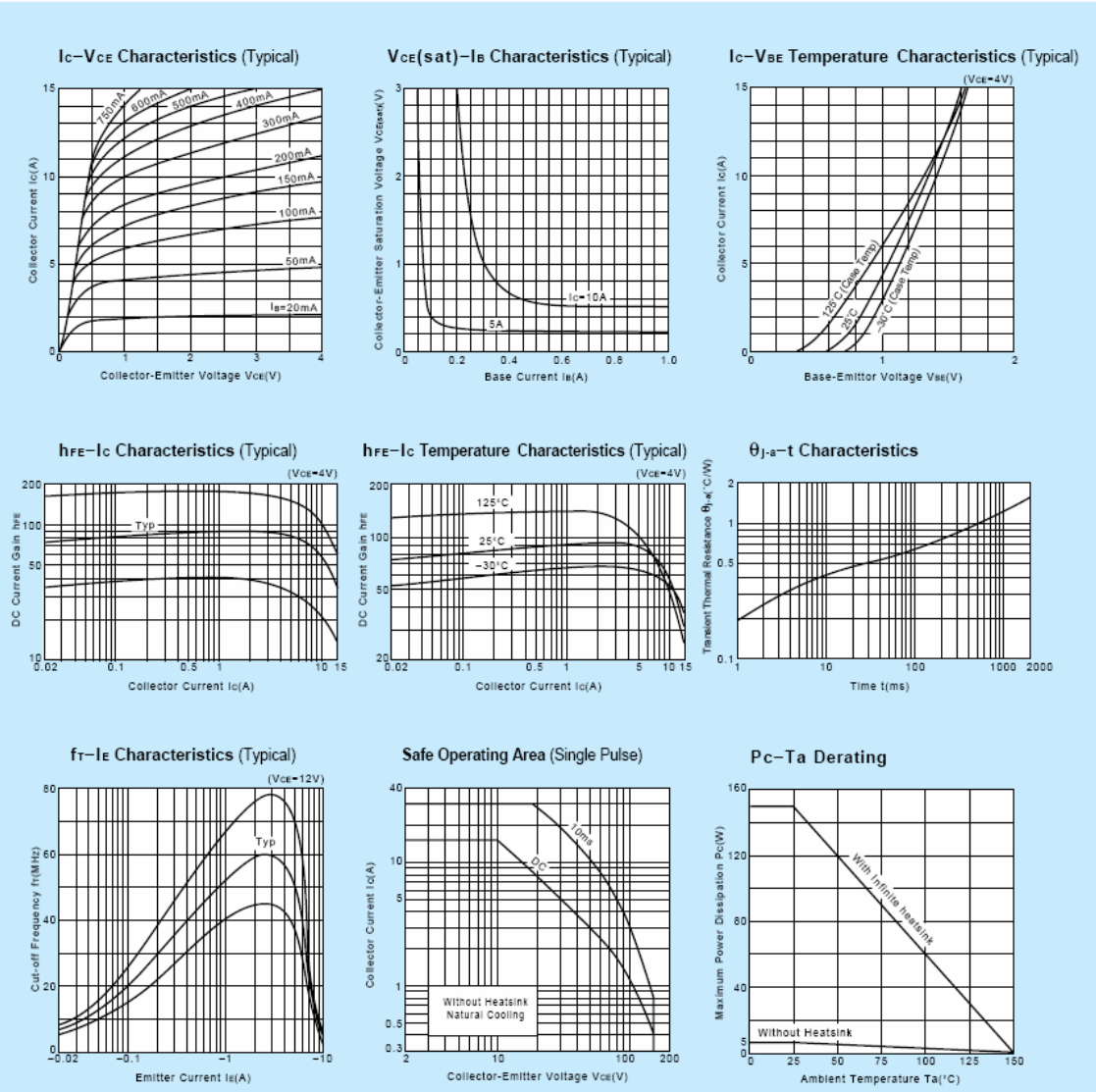
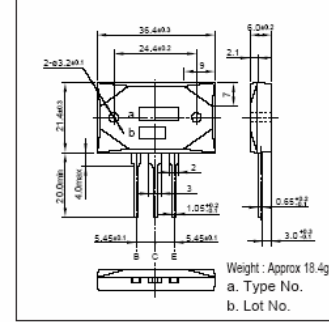
Symbol	Conditions	2SC2921	Unit
I _{CBO}	V _{CB} =160V	100max	μA
I _{EB0}	V _{EB} =5V	100max	μA
V _{BR} (V _{CEO})	I _c =25mA	160min	V
h _{FE}	V _{CE} =4V, I _c =5A	50min*	
V _{CE(sat)}	I _c =5A, I _B =0.5A	2.0max	V
f _r	V _{CE} =12V, I _E =-2A	60typ	MHz
C _{OB}	V _{CB} =10V, f=1MHz	200typ	pF

*h_{FE} Rank: O(50 to 100), P(70 to 140), Y(90 to 180)

Typical Switching Characteristics (Common Emitter)

V _{CC} (V)	R _L (Ω)	I _c (A)	V _{BE} (V)	I _{B1} (mA)	I _{B2} (mA)	t _{on} (μs)	t _{stg} (μs)	t _f (μs)
60	12	5	-5	500	-500	0.2typ	1.5typ	0.35typ

External Dimensions MT-200





ELEFLOW OFFICES

<p>CHINA</p> <p>ELEFLOW TECHNOLOGIES(HQ) Suite1-603, HuaKang Plaza 109 ZhenXing Road, Futian District ShenZhen518031, P.R. China Phone: 86-755-83204665/83204663 Fax: 86-755-8320 4659 Email: eleflow@163.com</p> <p>USA</p> <p>ELEFLOW TECHNOLOGIES(USA) Mr. Ted Seymore (Manager) 3291 NE 4th Ave., Boca Raton Florida 33431-6011, USA Phone: 408-716-8509 Fax: 561-852-0505 Email: tedseymour@adelphia.net</p>	<p>R & D CENTER</p> <p>ELEFLOW TECHNOLOGIES(R&D CENTER) Overseas Chinese High-Tech Venture Park No. 12 South, Hi-tech Park, NanShan Dist. ShenZhen518057, China</p> <p>CHENGDU, CHINA</p> <p>Eleflow Technologies (Chengdu Office) Mr. Ou, Lin (Manager) Suite A401, Qunyi Business Centre 13 ErHuanLu NanYiDuan, Chengdu Sichuan610041, China Phone: 86-28-8521 3480 Fax: 86-28-8521 3480 Email: eleflow@163.com</p>
---	---